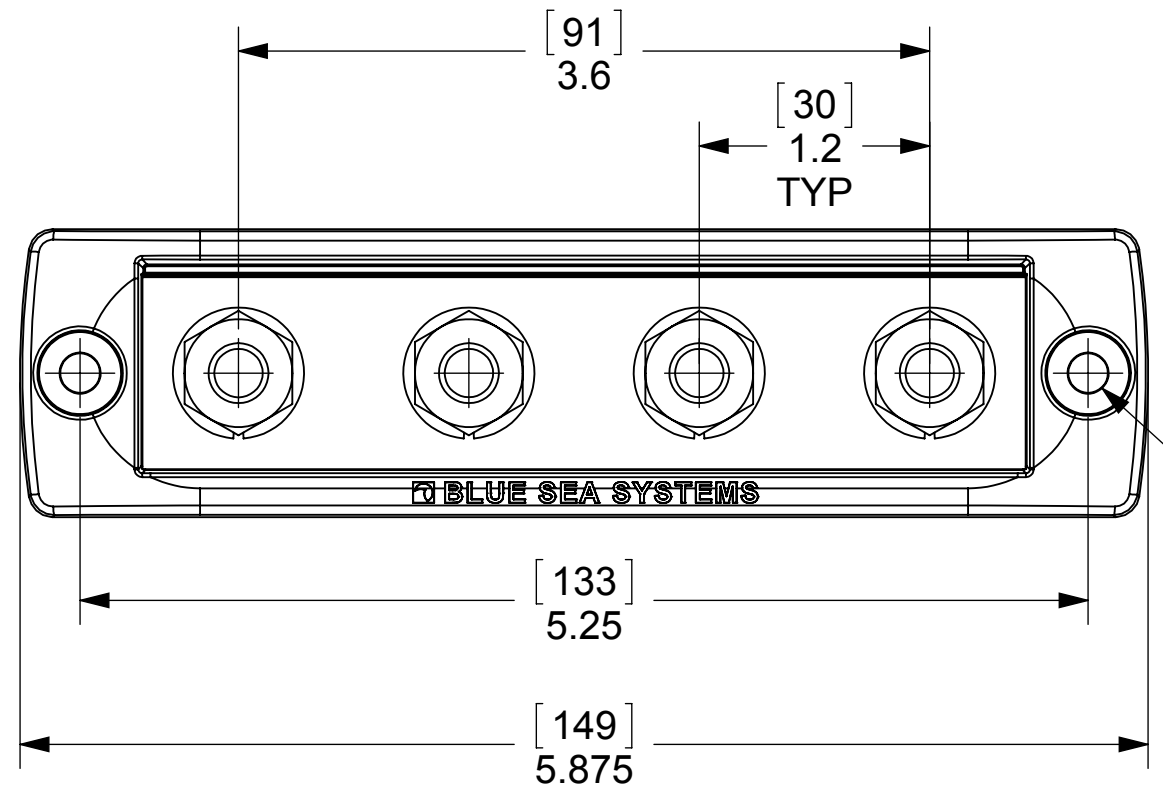
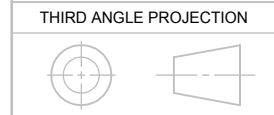
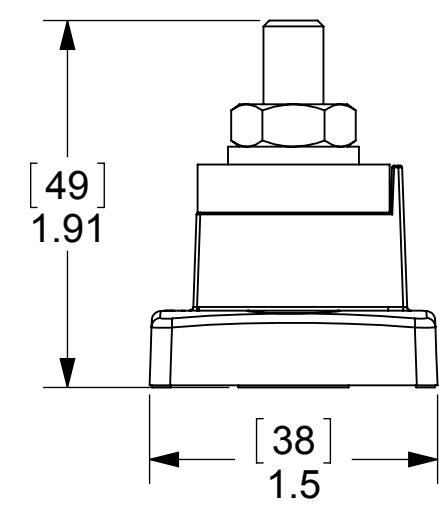
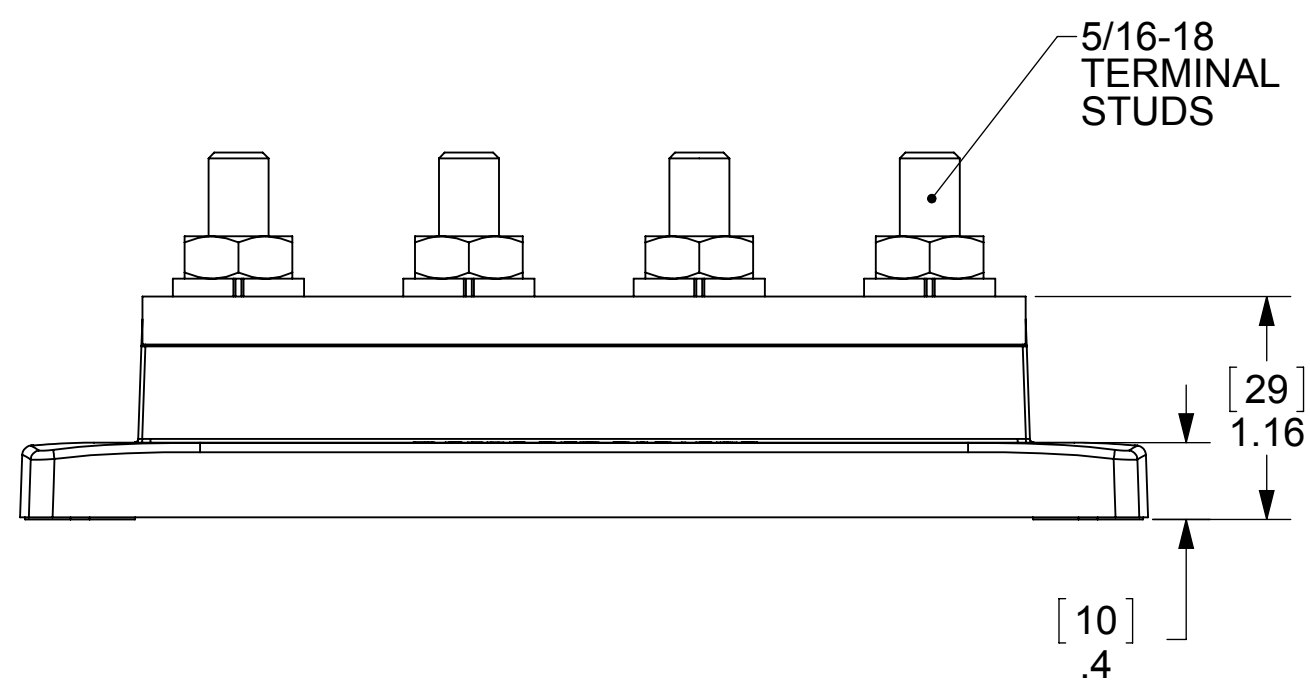
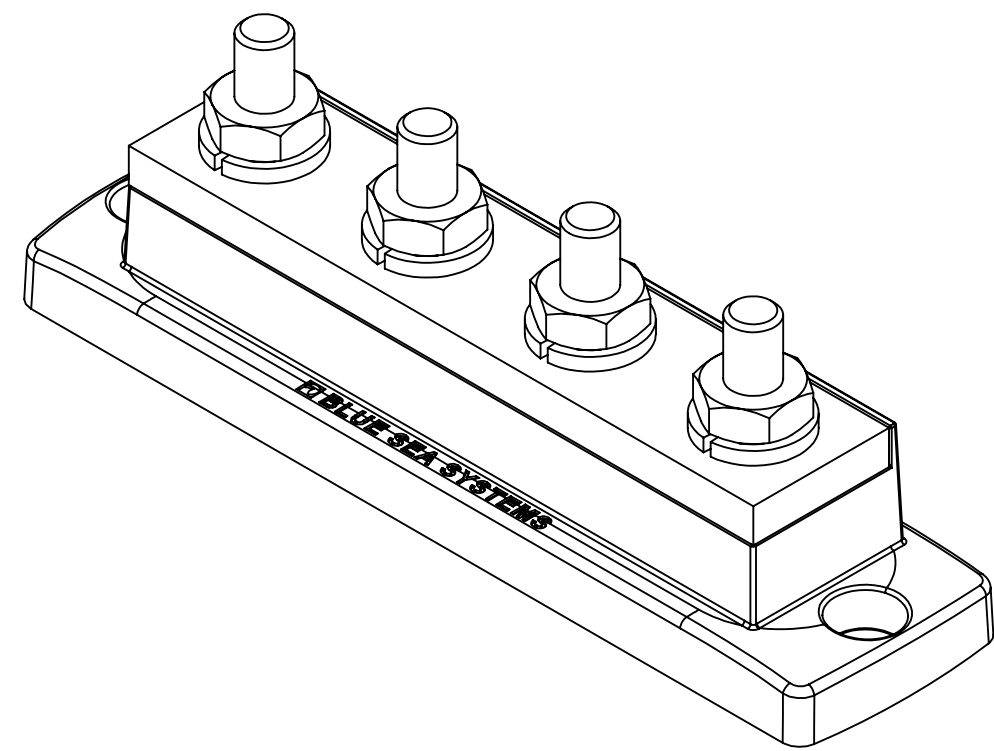


THIS DRAWING AND THE INFORMATION CONTAINED WITHIN IT ARE CONFIDENTIAL AND MAY NOT BE COPIED OR DISCLOSED WITHOUT THE WRITTEN PERMISSION OF BLUE SEA SYSTEMS.

REVISIONS				
ZONE	REV.	DESCRIPTION	DATE	APPROVED
	1	PRODUCTION RELEASE	2012.3.27	S. SCHANKEN



CLEARANCE FOR #10 OR M5 MOUNTING HARDWARE



DIMENSIONS ARE SHOWN IN INCHES AND [MILLIMETERS]. UNSPECIFIED TOLERANCES ARE:		NAME	DATE
ANGLES	INCH	T.DYKAS	2011.05.26
±0°30'	.000±.002	CHECKED	-
	.000±.005		-
	.00±.010		-
			-
MATERIAL	--	COMMENTS:	
FINISH	--		
DO NOT SCALE DRAWING			



MAXIbus 4 x 5/16 Stud Common New
Part Number: 2127

SIZE	DWG. NO.	REV.
C	2127 MAXIbus 4 x 5/16 Stud Common New	1
SCALE 1:1	WEIGHT: NOT SPECIFIED	SHEET 1 OF 1